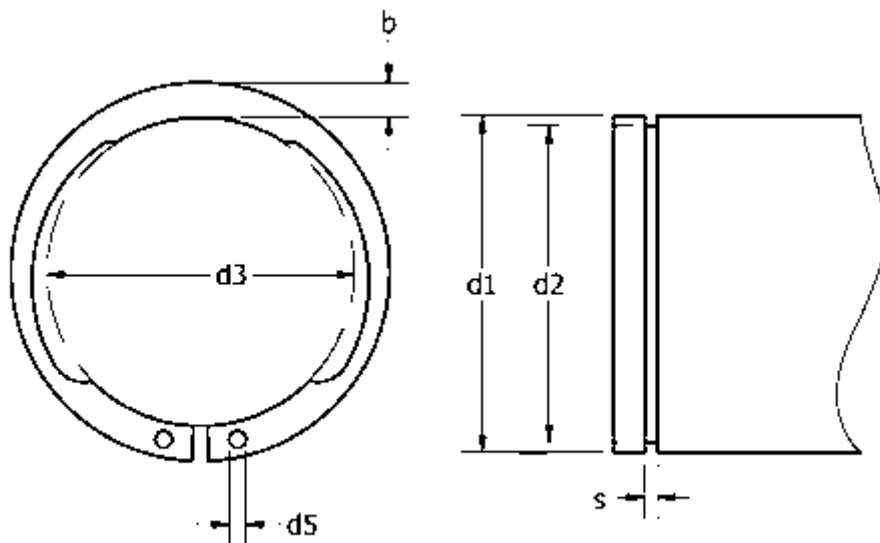


# Data Sheet



Article number: 0105031  
 Description: Retaining ring AV 15  
 Note: Fitted with ZGA pliers

## Measures



AN mm <sup>2</sup>	= 7.3	FRg kN	= 2.4	t	= 0.35
b	= 2.2	FR kN	= 6.5	tol	= -0.06
d1	= 15	g	= 1.0	tol	= -0.11
d2	= 14.3	K kN-mm	= 19.3	tol	= +0,10-0,36
d3	= 13.80	m min	= 1.10	tol	= 0.1
d5 min	= 1.3	n abl x 1000	= 50	Tong	= ZGA-0
Description	= AV 15	s	= 1.00	Weight kg/1000	= 0.66
FN kN	= 1.22	Side power N at I2	= 1.0		